

21.5 inch Industrial All In One Ultra Flat IP65 Panel PC



Waterproof Full Flat IP65 Seamless Front

- 21.5", 1920x1080, 16:9 Aspect Ratio
- Intel Celeron Quad-core J1900, Optional i3/i5/i7
- 2G DDR3 RAM (Up to 4G/8G)
- 32G SSD (Up to 64G/128G/256G/500G)
- OS: Windows 7/8/10, Linux Optional
- 3mm Ultra Thin Front Bezel, Aluminum Alloy Enclosure

Optional: Sunlight Readable(1000cd/m² Brightness)

Feature

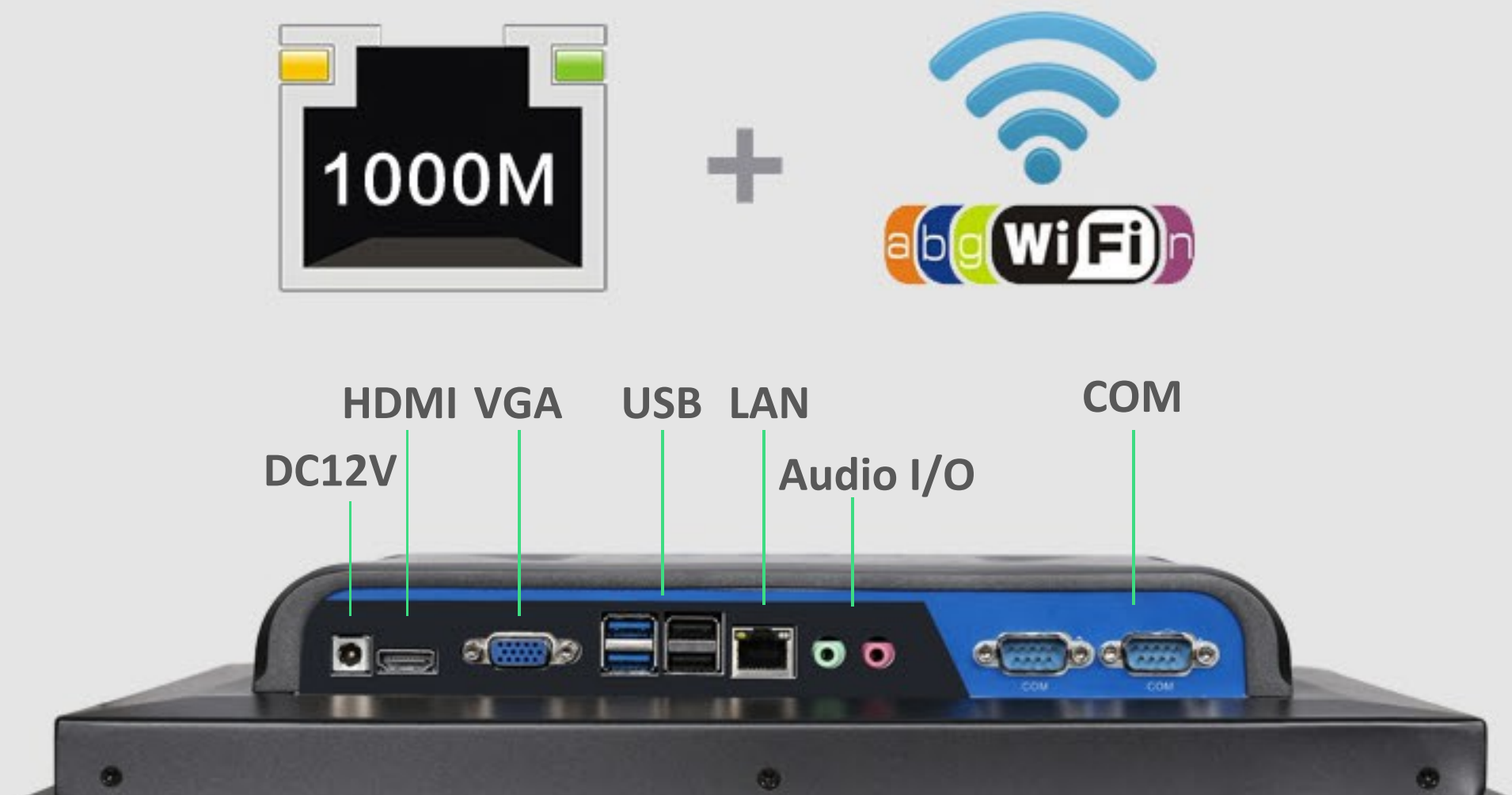


- WIFI (2.4G)
- Power Button
- Embedded Holes
- Standard unit is not available. Can be customized for adjusting brightness
- Waterproof Speaker Hole
- Excellent Heat Dissipation Design
- VESA Holes (75*75mm, 100*100mm)

OEM/ODM:
Enclosure Size
Whole Waterproof
5G WIFI



Interfaces



Optional Interfaces as Below

OEM/ODM:
2~3 *COM (RS232/RS485/RS422)
2*LAN (RJ45)
GPIO/LPT/Msata/Mini-PCle

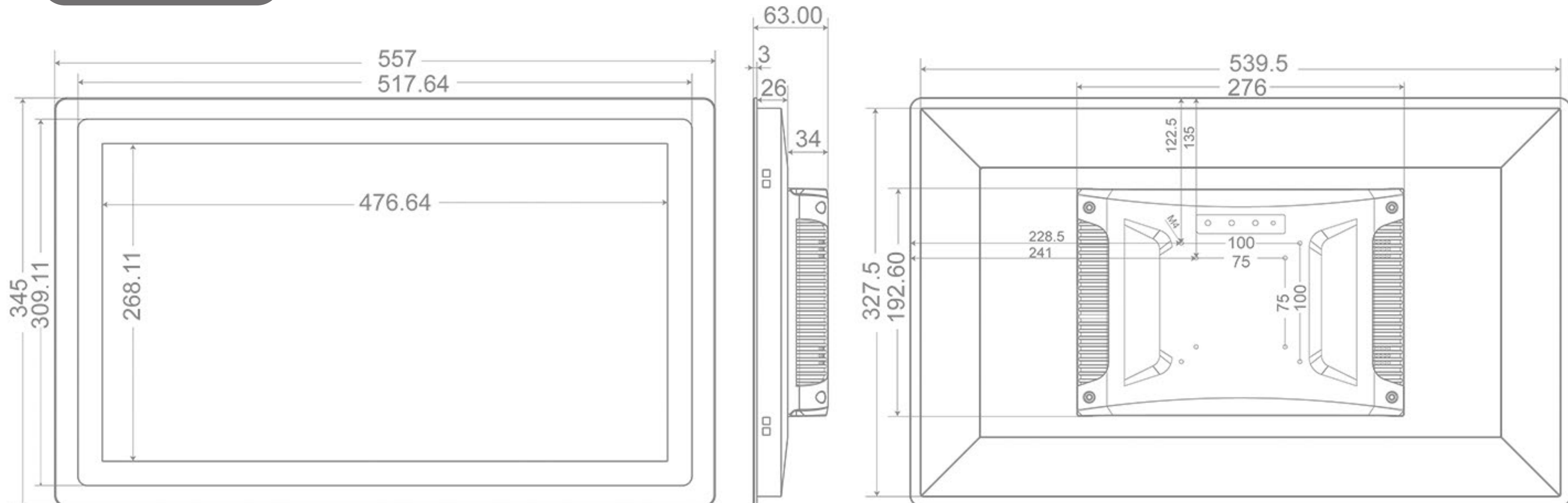


Touch Type

Front Panel IP65 Design, Water and Dust Proof



Dimension



Installation



Embedded With Buckles(Default)



Folding Bracket Stand(Optional)



Wall Hung Kits(Optional)



Match VESA ARM(Optional)

Specification

Display	Panel Type	TFT LED (A+ grade)
	Screen Size	21.5 inch
	Housing Material	Aluminum Alloy Enclosure
	Screen Ratio	16:9
	Resolution	1920x1080
	Contrast	1000:1
	Display Colors	16.7 M
	Brightness	400cd/m2 (1000cd/m2 for Customized)
	Screen Pixel Pitch	0.264 mm
	Viewing Angle	(H)160 x (V)160
	Touch Screen Type	No Touch/Resistive Touch/Capacitive Touch
Response Time	5ms	
LED Backlight Lifespan	50,000 h	
Motherboard	Color	Silver or Black (Can Customized)
	CPU	Intel Celeron Quad-core J1900 2.0 GHz, Optional i3/i5/i7
	RAM	2G DDR3, Optional Up to 4G/8G
	SSD	32G SDD , Optional Up to 64G/128G/256G/500G
	HDD	500GB/1TB HDD (Optional)
	WiFi	Built-in, 802.11a/b/g/n
	I/O	12V Power Adapter x1/USB2.0 x4/Internet Access x1/HDMI x1/VGA x1/Audio IO x1/COM x2 (Can Customized)
Others	OS	Windows 7/8/10, Linux
	Power Supply	External 12V/5A Power Adapter
	Power Consumption	≤ 45W
	Temperature	Operation: -10°C~60°C, Transportation & Storage: -20°C~60°C
	Humidity	Operation: 40%~65%, Transportation & Storage: 35%~80%
	Installations	Default: Embedded with Buckles Optional: Wall Hung Kits/Desktop Stand/Folding Bracket Stand/VESA Mounted
	Certificates	CE/FCC/RoHS
Warranty	1 Year	
Accessories	Power Adapter/Embedded Clips/Manual	